



Dräger, Andover, MA / Telford, PA

**To all customers of the JM-105
Jaundice Meters**

Important Safety Notice!!!

March 2018

Dräger Jaundice Meter JM-105 Out of Range Indication

Dear Ladies and Gentlemen,

Our continuous post market surveillance has shown that users have concerns about the method used by JM-105 to indicate that a taken measurement is out of range (higher than the measuring range of the device). As described in the instructions for use and in the device's training materials, the JM-105 displays a blinking '- O -' when the measurement is out of range. The measuring range is defined to 340 $\mu\text{mol/L}$ / 20 mg/dl.

In one case in Sweden and one case in the UK, the uncertainty about high value indication may have been a factor in the delay of treatment of patient with hyperbilirubinemia. We have decided to proactively add a label to all devices in the field in order to remind the user of the meaning of a blinking "- O -" respectively.

Our records indicate that your hospital owns one or more JM-105 devices. Please refer to the label instruction how to apply the label onto your devices. Please make sure that all devices in your hospital will be labeled according to the instructions in a timely manner. If you have any questions, please feel free to contact Dräger Service.

We also believe that there is always the potential to further improve any product, including the JM-105. Therefore, Dräger implemented a firmware change for indication for a high bilirubin measurement for the JM-105. The firmware change allows the user to set the out of range indication as "-O-", ">340 $\mu\text{mol/L}$ ", or ">20 mg/dl" (depending on the selected units of measure). The firmware change is offered for free for all JM-105 devices under warranty. If your device is

Dräger Medical Systems Inc.
3135 Quarry Road
Telford, PA 19969
USA
Tel +1 215 721 5400
www.draeger.com

Dräger Medical Systems Inc.
6 Tech Drive
Andover, MA 01810
USA
Tel +1 978 379 8000
www.draeger.com

under warranty, you will be notified in a separate communication on how to send the device for the change. The firmware change can be purchased for devices out of warranty. Please contact Dräger Service for further information.

We would like to underline that the JM-105 is not intended to be used as a standalone screening device for diagnosis of hyperbilirubinemia. The devices are intended to be used as a screening device in conjunction with other clinical signs and laboratory measurements by trained clinical personal.


We recommend using the TcB Nomogram by Maisels (see attached Sample Usage Protocol Template) in combination with the risk factors in order to decide whether a blood test has to be performed or not.

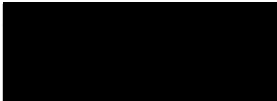
Please make sure that in your clinical environment the users are trained in the use of the equipment and the clinical workflow is set up in a way that the device is not used as diagnostic device. In case of any uncertainty (e.g. risk factors cannot be evaluated), a blood test needs to be performed. The risk factors according to the Guideline of American Academy of Pediatrics are summarized in the attached Sample Usage Protocol Template as well as the recommended method to use the device as intended in a clinical environment.

In case you have further questions regarding the intended use of the devices or if you need further training, please feel free to contact your local Dräger application specialist.

Dräger is committed to customer satisfaction and patient safety. We apologize for any inconvenience this action may cause and appreciate your patience and cooperation.

Kind regards,


Philip Moehring
Head of Product Management
Product Management Life Support Systems
Thermoregulation


Bryan Overton
Director, Quality Assurance & Compliance
Processes, Quality, & Regulatory

cc Chairman of Medical Board and relevant Head of Department

Attachment:

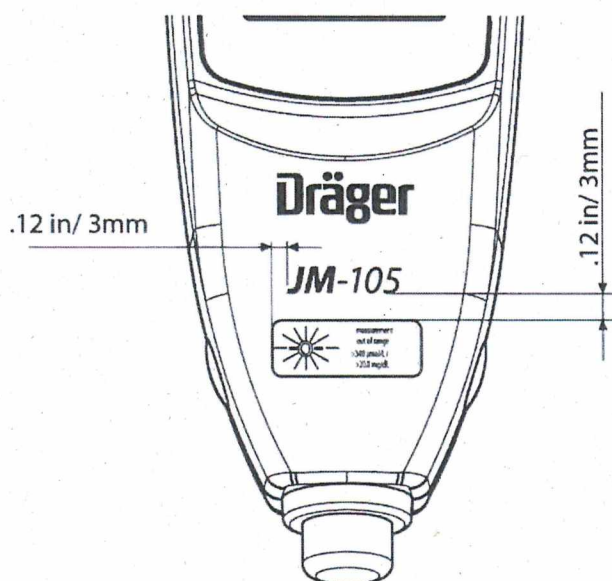
- Sample Usage Protocol Template:

IfU_SP_JM_105_Jaundice_Meter_Sample_Usage_Protocol_Template_EN_MU25261

Dräger, Andover, MA / Telford, PA

Label placement instruction

Ensure that the device is cleaned prior to application of the label in accordance to instructions for use.



Label placement as shown in picture (reference only).

Draeger Medical Systems Inc.
3135 Quarry Road
Telford, PA 18969
USA
Tel +1 215 721 5400
www.draeger.com

Draeger Medical Systems Inc.
6 Tech Drive
Andover, MA 01810
USA
Tel +1 978 379 8000
www.draeger.com

Dräger, Andover, MA / Telford, PA

**To all customers of the JM-103
Jaundice Meters**

**Important Safety Notice!!!
Dräger Jaundice Meter JM-103 Out of Range Indication**

March 2018

Dear Ladies and Gentlemen,

Our continuous post market surveillance has shown that some users have concerns about the method used by the JM-103 to indicate that a taken measurement is out of range (higher than the measuring range of the device). As described in the instructions for use and in the device's training materials, the JM-103 displays a blinking "--" when the measurement is out of range. The measuring range is defined to 340 µmol/L / 20 mg/dl.

We have decided to proactively add a label to the device in order to remind the user of the meaning of the blinking "--".

Our records indicate that your hospital owns one or more JM-103 devices. Please refer to the label instruction how to apply the label onto your device/s. Please make sure that all devices in your hospital will be labeled according to the instructions in a timely manner. If you have any questions, please feel free to contact Dräger Service.

We would like to underline that the JM-103 is not intended to be used as a standalone screening device for diagnosis of hyperbilirubinemia. The devices are intended to be used as a screening device in conjunction with other clinical signs and laboratory measurements by trained clinical

Draeger Medical Systems Inc.
3135 Quarry Road
Telford, PA 18969
USA
Tel +1 215 721 5400
www.draeger.com

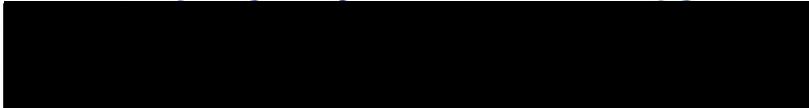
Draeger Medical Systems Inc.
6 Tech Drive
Andover, MA 01810
USA
Tel +1 978 379 8000
www.draeger.com

personal. We recommend using the TcB Nomogram by Maisels (see attached Sample Usage Protocol Template) in combination with the risk factors in order to decide whether a blood test has to be performed or not.

Please make sure that in your clinical environment the users are trained in the use of the equipment and the clinical workflow is set up in a way that the device is not used as diagnostic device. In case of any uncertainty (e.g. risk factors cannot be evaluated), a blood test needs to be performed. The risk factors according to the Guideline of American Academy of Pediatrics are summarized in the attached Sample Usage Protocol Template as well as the recommended method to use the device as intended in a clinical environment.

In case you have further questions regarding the intended use of the devices or if you need further training, please feel free to contact your local Dräger application specialist. Dräger is committed to customer satisfaction and patient safety. We apologize for any inconvenience this action may cause and appreciate your patience and cooperation.

Kind regards,



Philip Moehring
Head of Product Management
Product Management Life Support Systems
Thermoregulation

Bryan Overton
Director, Quality Assurance & Compliance
Processes, Quality, & Regulatory

cc Chairman Medical Board and relevant Head of Department

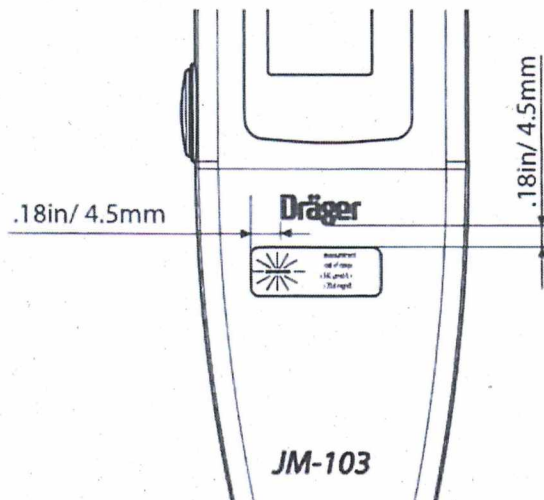
Attachment:

- Sample Usage Protocol Template: Sample Usage Protocol for Dräger Jaundice Meter JM-103

Dräger, Andover, MA / Telford, PA

Label placement instruction

Ensure that the device is cleaned prior to application of the label in accordance to instructions for use.



Label placement as shown in picture (reference only).

Dräger Medical Systems Inc.
3135 Quarry Road
Telford, PA 18969
USA
Tel +1 215 721 5400
www.draeger.com

Dräger Medical Systems Inc.
6 Tech Drive
Andover, MA 01810
USA
Tel +1 978 379 8000
www.draeger.com

Dräger, Andover, MA / Telford, PA

JM-103 - Konica Minolta/Air-Shields



Dimensional Tolerance REF ONLY for label placement.

Draeger Medical Systems Inc
3135 Quarry Road
Telford, PA 18969
USA
Tel +1 215 721 5400
www.draeger.com

Draeger Medical Systems Inc
6 Tech Drive
Andover, MA 01810
USA
Tel +1 978 379 8000
www.draeger.com